

# Electric Strikes

## GK450/480 Series

Durable, Versatile Strikes for Residential and Business



The GK450/480 series ANSI electric strike is designed for use with cylindrical locksets and mortises locksets without a deadbolt and can be installed in metal and wood door frames. It includes an optional latch monitor and is field reversible for fail-safe or fail-secure operation.

### Standard Features

- Non-handed fully reversible
- Field reversible fail-safe or fail-secure
- Static strength 1,500 lbs (680Kg)
- Dynamic strength 70 ft-lbs
- Endurance 100,000 cycles UL tested, 1,000,000 cycles factory tested
- Brushed stainless steel (US32D) finish

### Optional Feature

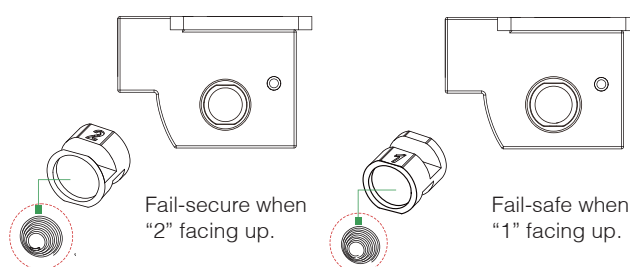
- Latch monitor

### Patents, Approvals, and Listings

- UL 1034 burglary resistant listed : BP10269
- UL 294 Access Control System listed: BP10269

### Changing Fail-Safe / Fail-Secure

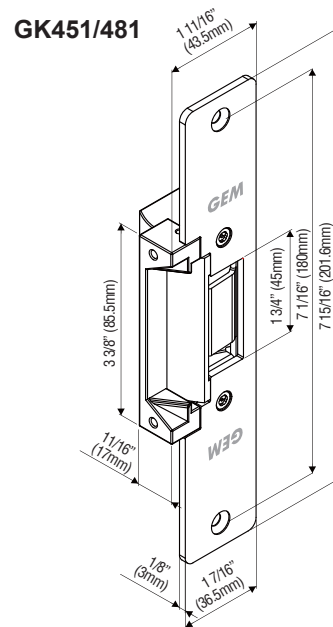
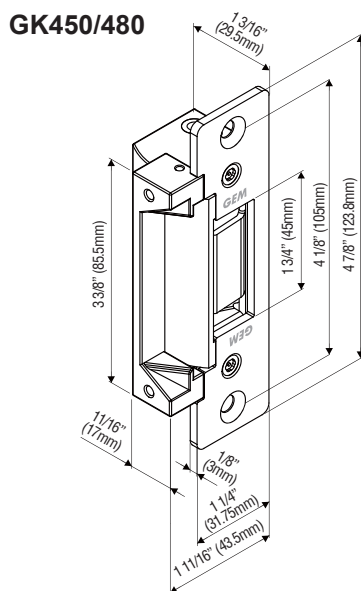
Fail-safe or fail-secure is field reversible by reversing the round screw.



## GK450/480 Series ANSI Electric Strikes

Models	Voltage (VDC)	Current Draw	Latch Throw	Optional Latch Monitor	Reversible Fail-Safe Or Fail-Secure	Frame	Body Construction
<b>GK450</b> <b>GK450-ST</b>	Dual 12/24	300mA/12VDC, 150mA/24VDC	9/16" (15mm)	●	●	Hollow Metal	Zinc alloy Stainless steel
<b>GK451</b> <b>GK451-ST</b>	Dual 12/24	300mA/12VDC, 150mA/24VDC	9/16" (15mm)	●	●	Wood	Zinc alloy Stainless steel
<b>GK480</b> <b>GK480-ST</b>	Dual 12/24	300mA/12VDC, 150mA/24VDC	3/4" (19mm)	●	●	Hollow Metal	Zinc alloy Stainless steel
<b>GK481</b> <b>GK481-ST</b>	Dual 12/24	300mA/12VDC, 150mA/24VDC	3/4" (19mm)	●	●	Wood	Zinc alloy Stainless steel

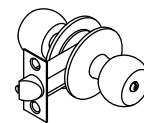
## Dimensions



## Lockset Application

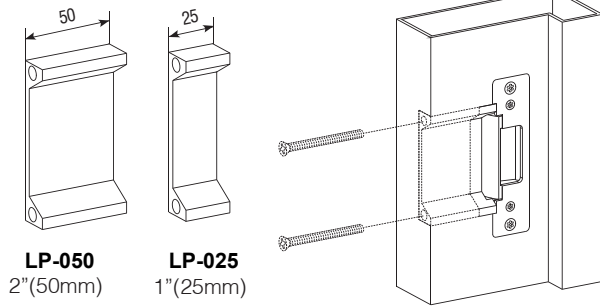
(Note: Lockset is Not sold with electric strike model.)

Electric Strike Models	Locksets
GK450, GK480, GK451, GK481	<b>Cylindrical</b> Lockset with center lined latchbolt



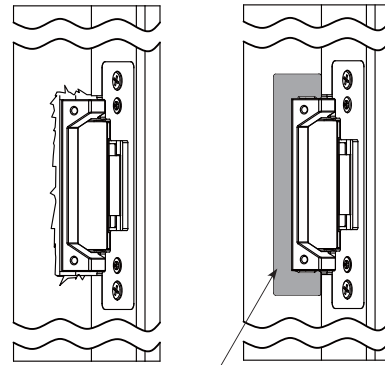
\*Above models include model number with or without the "M" and/or "ST" suffix.

### Lip Extensions (Option)



Lip extensions are available to meet the needs of a particular jamb width.

### Trim Plate



Trim plate is used to cover any imperfections caused while prepping the frame cut out.

#### Warranty

The product is warranted against defects in material and workmanship while used in normal service for a period of 3 years from the date of sale to the original client. The GEM policy is one of continual development and improvement; therefore GEM reserves the right to change specifications without notice.